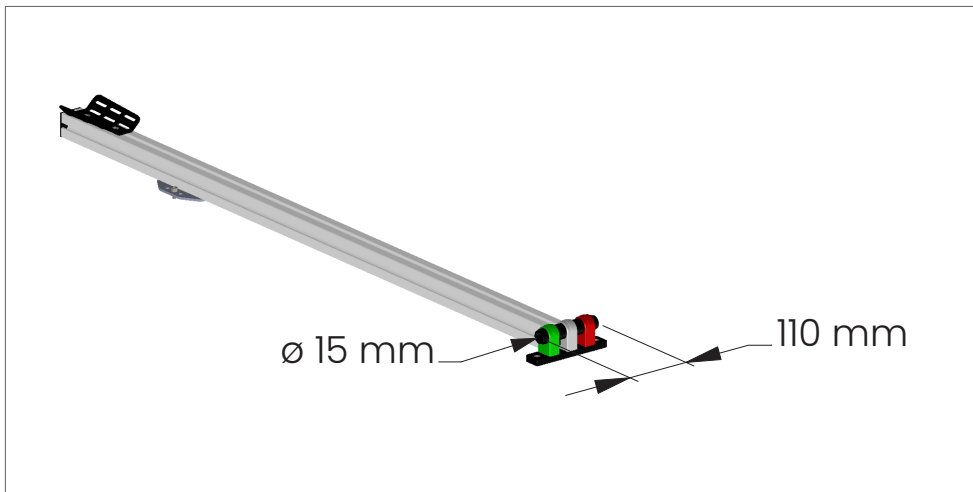


SIZE GUIDE

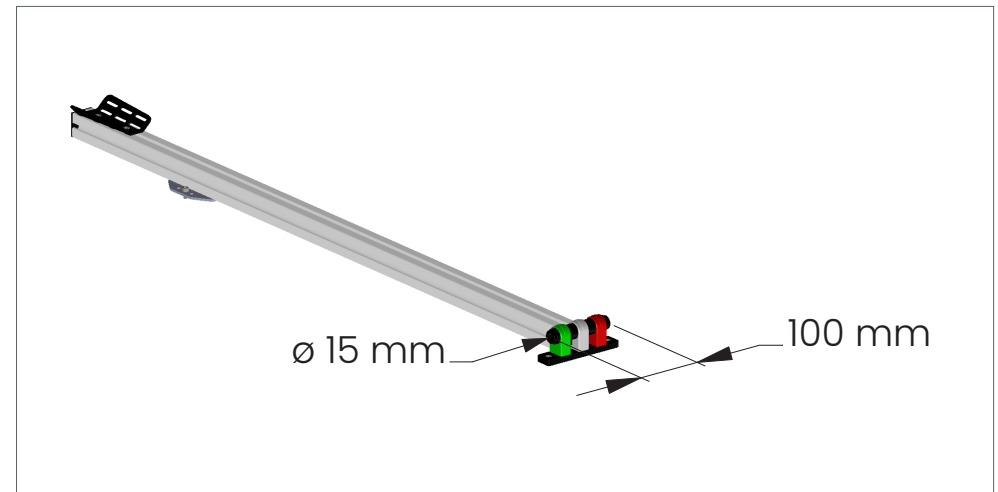
CIVI 3AXIS



A – Ø 15x110 mm



B – Ø 15x100 mm



During purchase it is mandatory to select the correct size between A – Ø 15x110 mm / B – Ø 15x100 mm.

To check the measurements of the bicycle pivot it is necessary to remove the front wheel and measure the diameter of the pivot.

The front through axle can be 15 mm or, in the case of downhill bikes, 20 mm. After that you need to measure the distance between the milled inner faces of the fork (where the wheel hub is located), which can be 110 mm or 100 mm. This last measurement, measured in the absence of the wheel, could vary by a few millimetres (+/- 3 mm) depending on the internal tensions of the fork casting.

Civi 3Axis is designed for bicycles up to 30 kg equipped with a front through axle with a diameter of 15 mm and an internal fork opening for the wheel hub of 110 mm or 100 mm. The QR (Quick Release) systems and the Cannondale Lefty model forks are definitely excluded at the moment.

SIZES AVAILABLE	ALLOWED MEASURES
A – Ø 15x110 mm	Ø 15x107 mm / Ø 15x108 mm / Ø 15x109 mm / Ø 15x110 mm / Ø 15x111 mm / Ø 15x112 mm / Ø 15x113 mm
B – Ø 15x100 mm	Ø 15x97 mm / Ø 15x98 mm / Ø 15x99 mm / Ø 15x100 mm / Ø 15x101 mm / Ø 15x102 mm / Ø 15x103 mm